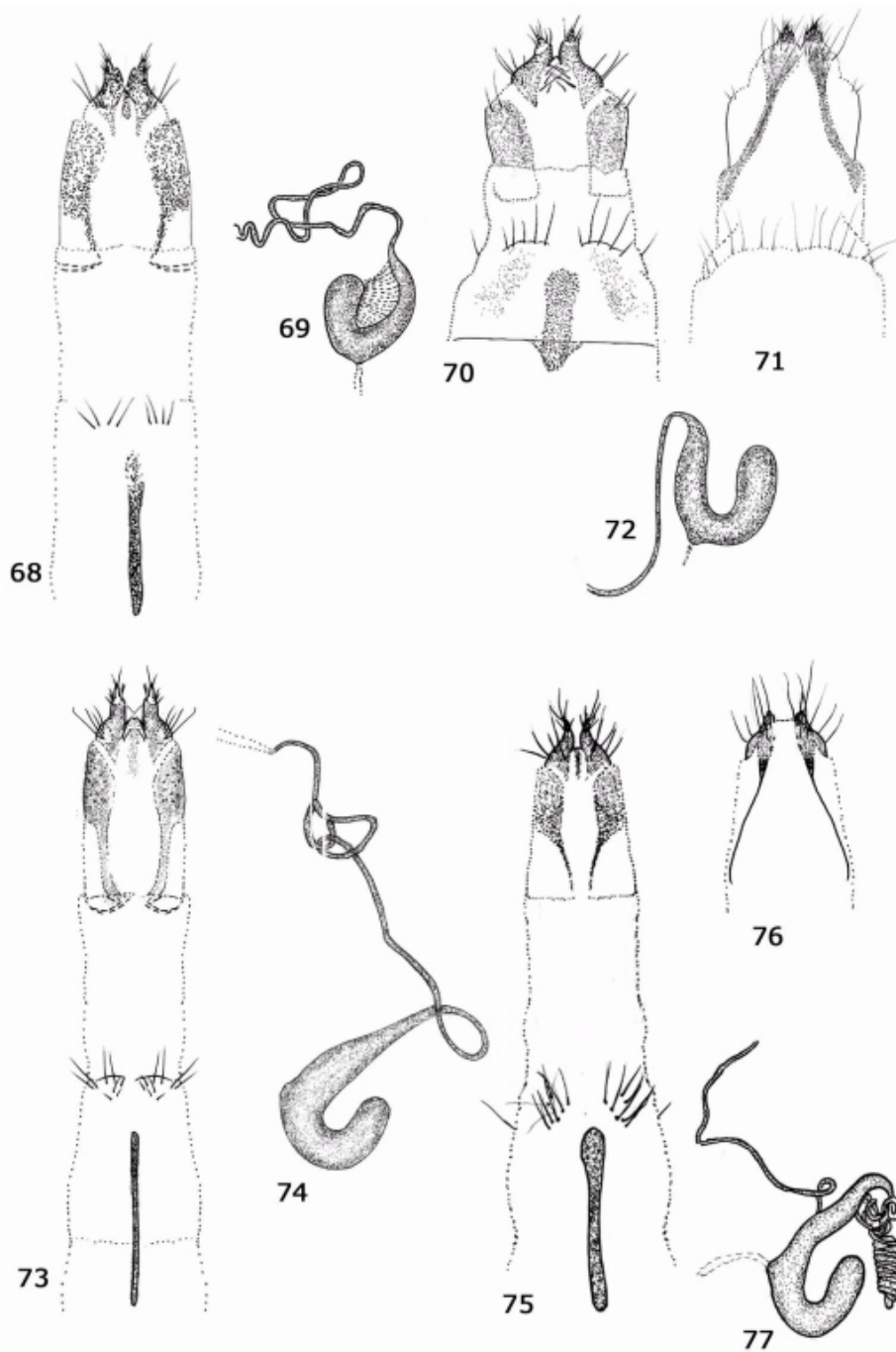
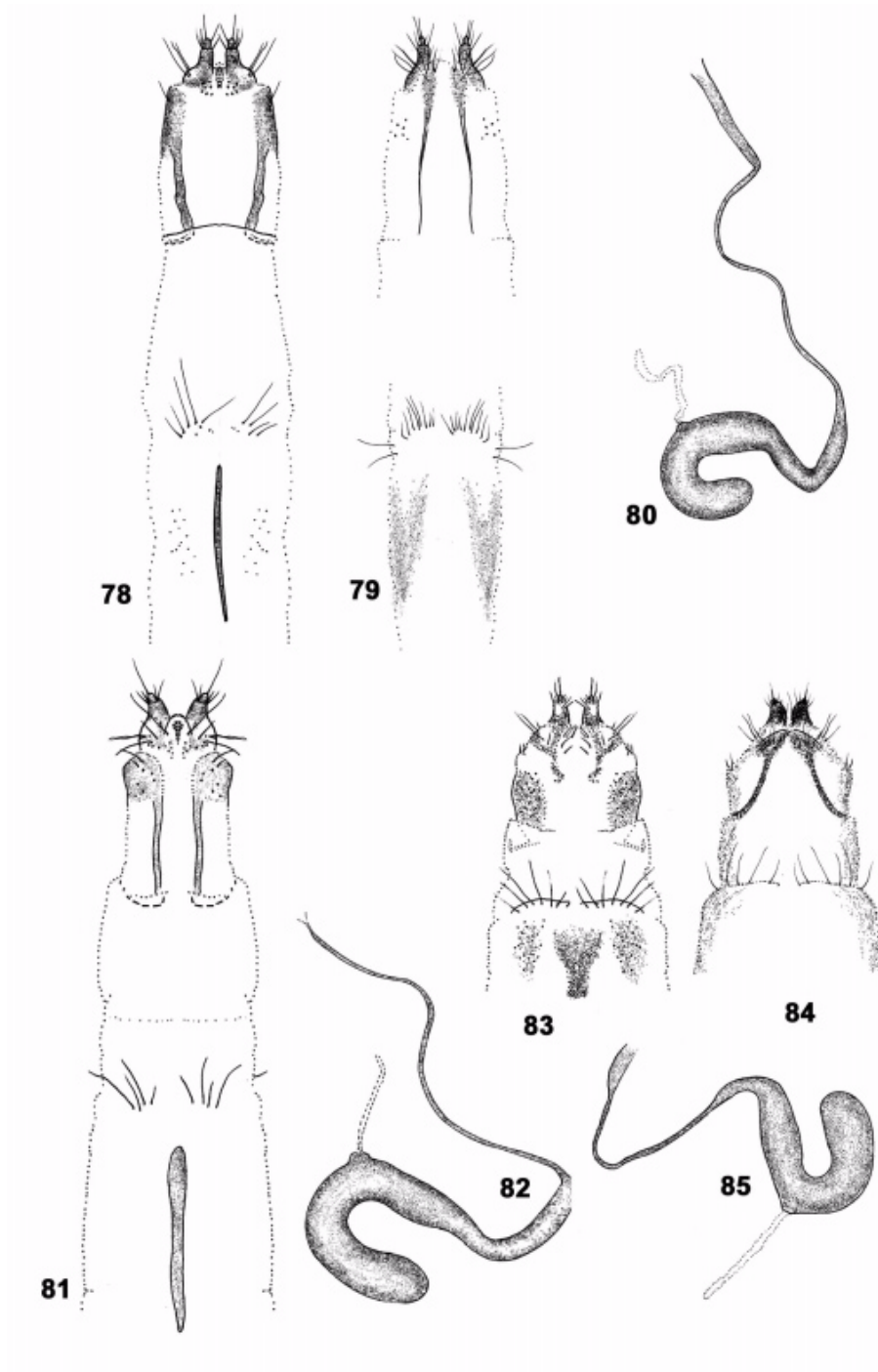


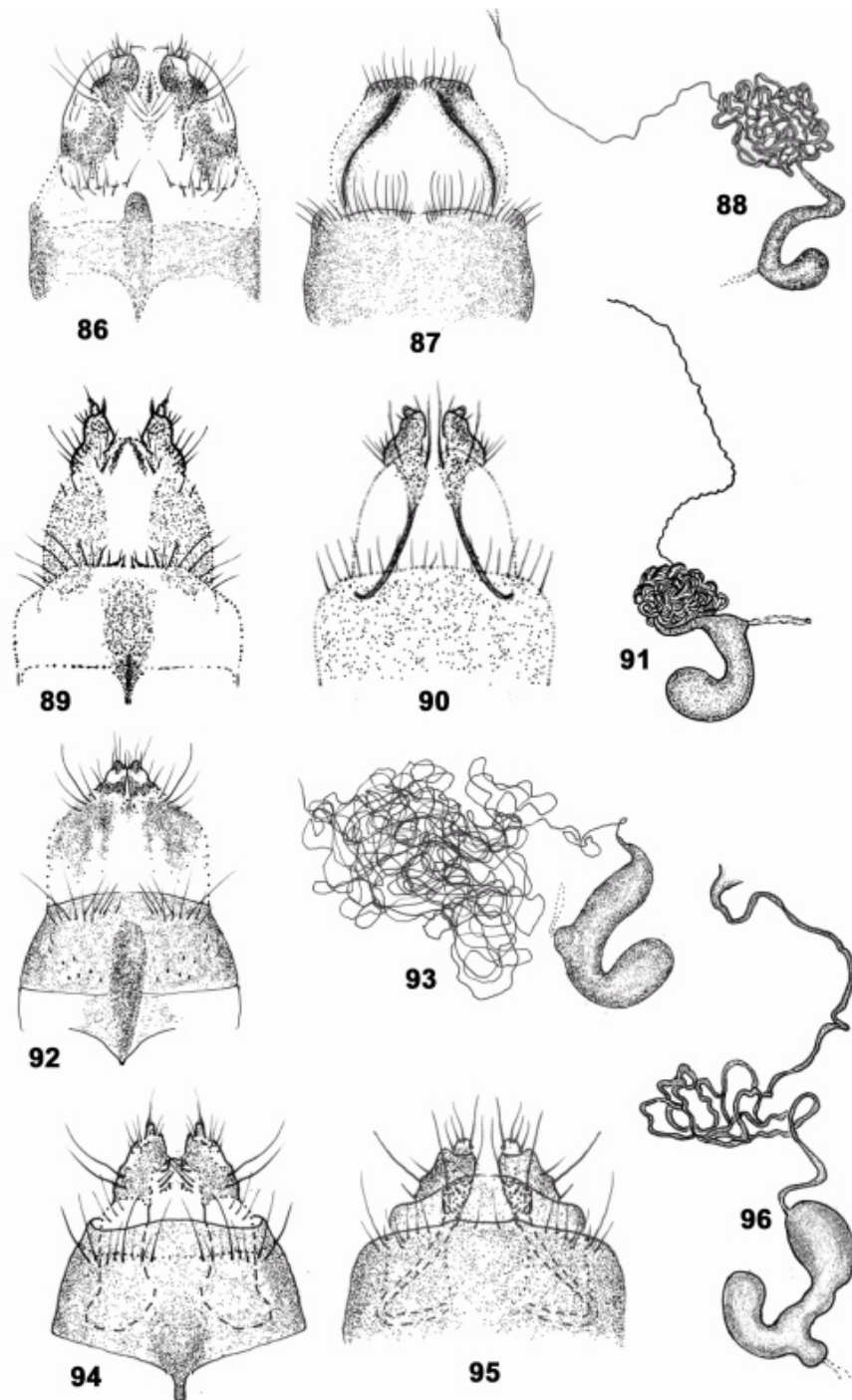
FIGURES 60–67. Female genitalia. Figs. 60–62, *P. adiastrata* Flowers; 60. ovipositor, ventral view; 61. ovipositor, dorsal view; 62. spermatheca. Figs. 63–64, *P. bicolor* (Olivier); 63. ovipositor, ventral view; 64. spermatheca. Figs. 65–67, *P. costata* (Baly); 65. ovipositor, ventral view; 66., apical half of segment IX, dorsal view; 67. spermatheca.



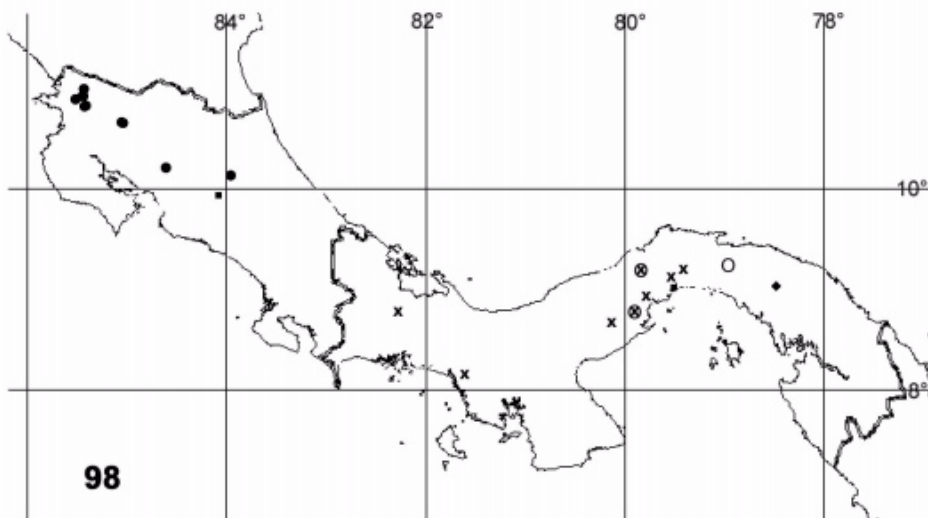
FIGURES 68–77. Female genitalia. Figs. 68–69, *P. dichroma* Flowers; 68. ovipositor, ventral view; 69. spermatheca. Figs. 70–72, *P. esmeralda* Flowers; 70. ovipositor, ventral view; 71. ovipositor, dorsal view; 72. spermatheca. Figs. 73–74, *P. gaiophanes* Flowers; 73. ovipositor, ventral view; 74. spermatheca. Figs. 75–77, *P. geniculata* (Baly); 75. ovipositor, ventral view; 76., apical half of segment IX, dorsal view; 77. spermatheca.



FIGURES 78–85. Female genitalia. Figs. 78–80, *P. lutea* Erichson; 78. ovipositor, ventral view; 79. apical half of segment IX (above), segment VIII (below), dorsal view; 80. spermatheca. Figs. 81–82, *P. marshalli* Lefèvre; 81. ovipositor, ventral view; 82. spermatheca. Figs. 83–85, *P. nila* Flowers; 83. ovipositor, ventral view; 84. ovipositor, dorsal view; 85. spermatheca.



FIGURES 86–96. Female genitalia. Figs. 86–88, *P. arimanes* Flowers; 86. ovipositor, ventral view; 87. ovipositor, dorsal view; 88. spermatheca. Figs. 89–91, *P. kirschi* (Lefèvre); 89. ovipositor, ventral view; 90. ovipositor, dorsal view; 91. spermatheca. Figs. 92–93, *P. merana* Bechyné; 92. ovipositor, ventral view; 93. spermatheca. Figs. 94–96, *P. peruviana* (Bechyné); 94. ovipositor, ventral view; 95. ovipositor, dorsal view; 96. spermatheca.



FIGURES 97–98. Distribution of *Prionodera*. 97. Distribution of *P. adistola* Flowers, closed circle; *P. bicolor* (Olivier), closed square; *P. costata* (Baly), X; *P. esmeralda* Flowers, large closed star; *P. gaiophanes* Flowers, (overlaps symbols for *adiastola* and *bicolor* in northern Ecuador); *P. geniculata* (Baly), closed inverted triangle (overlaps other symbols in northeastern Ecuador); *P. lutea* Erichson, small 6-point star; *P. marshalli* Lefèvre, closed pentagon; open circle, Panamanian species, see next map. 98. Distribution of *P. dichroma* Flowers, open circle; *P. esmeralda* Flowers, closed circle; *P. furcada* Flowers, closed diamond; *P. nila* Flowers, X.

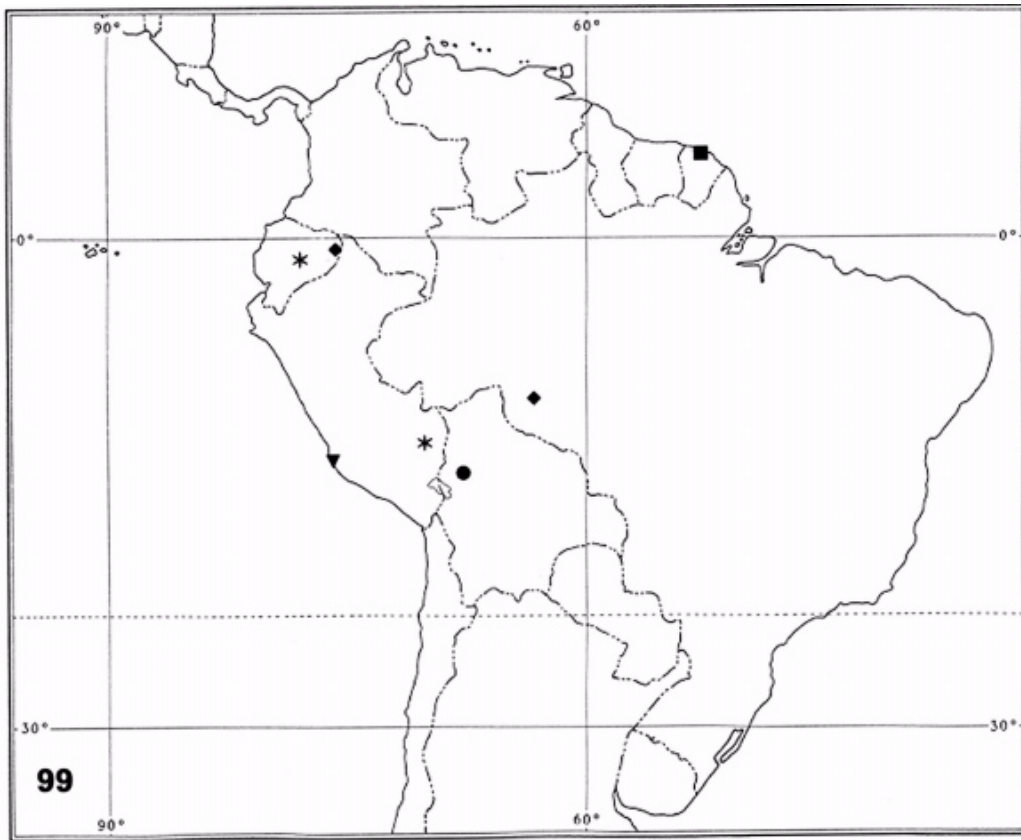


FIGURE 99. Distribution of *Prionodera arimanes* Flowers, closed circle; *P. cyanea* (Lefèvre), closed square; *P. kirschi* (Lefèvre), closed diamond; *P. merana* Bechyné, star; *P. peruviana* (Bechyné), closed triangle.

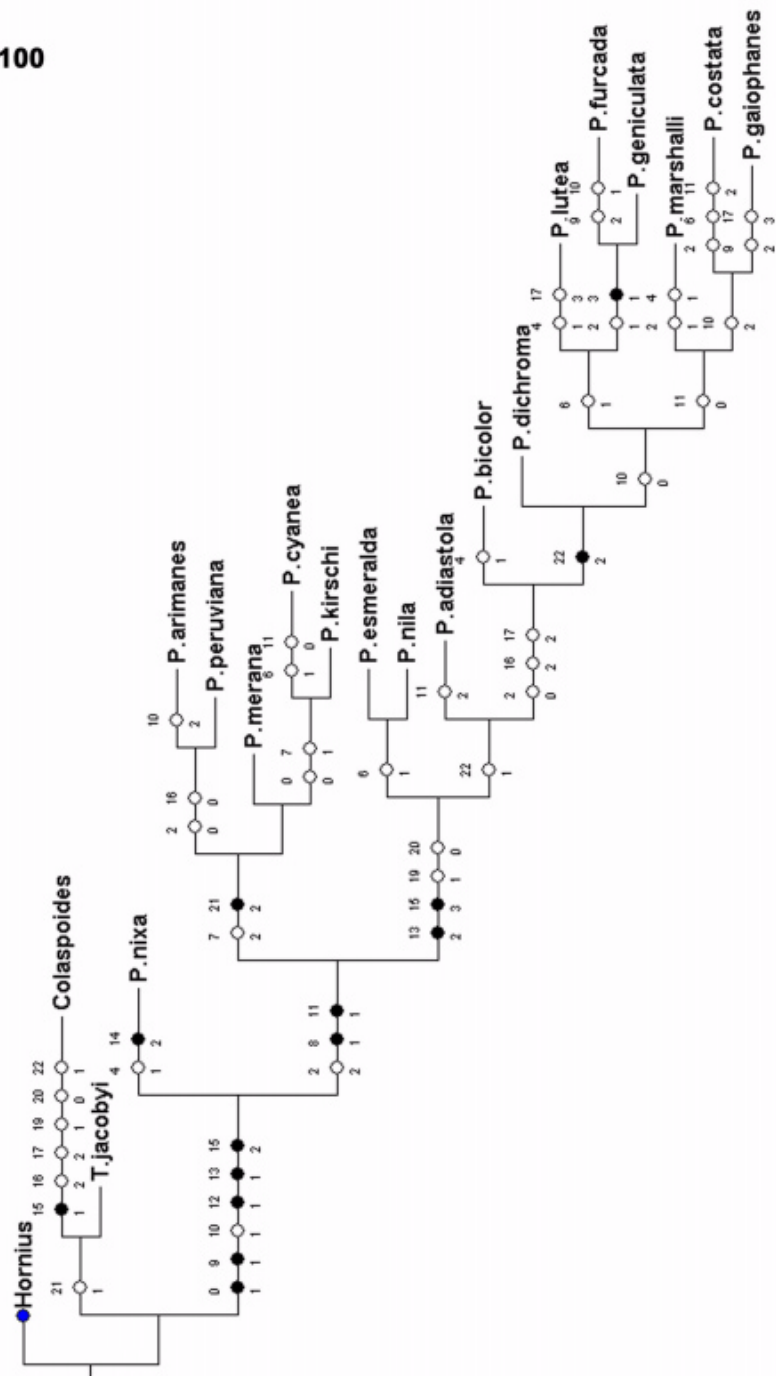


FIGURE 100. Cladogram of *Prionodera* and related genera; closed circles, apomorphies; open circles, homoplasies; numbers above the rectangles refer to characters, those below refer to character states. See text and Table 1 for discussion of characters and their states.

TABLE 1. Character matrix for cladistic analysis of *Prionodera*. Numbers refer to characters and character states in the text.

Taxon	Character																	
	5		10		15		20											
<i>Hornius</i>	0	0	0	0	0	0	0	0	0	0	0	0	0	0	0	1	0	0
<i>Colaspoides</i>	0	1	-	0	0	0	0	0	0	0	0	0	0	0	0	1	2	2
<i>T. jacobyi</i>	0	2	1	0	0	0	0	0	0	0	0	0	0	0	0	0	1	1
<i>P. adiastrata</i>	1	1	2	0	0	1	0	0	1	1	1	2	1	2	0	3	1	1
<i>P. arimanes</i>	1	0	0	0	0	0	2	2	1	-	2	1	-	-	-	-	0	1
<i>P. bicolor</i>	1	2	0	0	1	0	2	0	1	1	1	1	1	2	0	3	2	2
<i>P. costata</i>	1	1	2	0	0	0	0	0	1	1	2	2	1	2	0	3	2	2
<i>P. cyanea</i>	0	1	2	0	0	1	1	1	1	1	1	0	1	1	1	2	-	-
<i>P. dichroma</i>	1	1	0	0	0	0	2	0	1	1	1	1	1	2	0	3	2	2
<i>P. esmeralda</i>	1	1	2	0	0	1	1	0	1	1	1	1	1	2	0	3	1	1
<i>P. furcada</i>	1	0	1	1	0	0	1	1	1	2	1	1	1	2	0	3	-	-
<i>P. gaiophanes</i>	1	0	0	0	0	0	2	0	1	2	2	0	1	2	0	3	2	3
<i>P. geniculata</i>	1	0	1	1	0	1	1	1	1	1	0	1	1	2	0	3	2	2
<i>P. kirschi</i>	0	1	2	0	0	0	2	1	1	1	1	1	1	1	1	2	1	1
<i>P. lutea</i>	1	0	0	0	1	1	1	2	1	-	0	1	1	2	0	3	2	3
<i>P. marshalli</i>	1	2	1	0	1	1	2	0	1	1	0	0	1	2	0	3	2	2
<i>P. merana</i>	1	1	2	0	0	1	2	2	1	-	1	1	-	-	-	-	1	1
<i>P. nila</i>	1	1	2	0	0	1	1	0	1	1	1	1	1	2	0	3	1	1
<i>P. nixa</i>	1	2	1	0	1	1	0	0	0	1	1	0	1	1	2	2	-	-
<i>P. peruviana</i>	1	0	0	0	0	0	2	2	1	-	1	1	-	-	-	-	0	1